

**FG 100**  
Gas leak detector

**KEY POINTS**

- Easy to use
- Large backlight display
- Indication of gas leaking in ppm or in %VOL or in %LEL

**TECHNICAL FEATURES**

<b>Display</b>	4 lines, LCD technology. Dim. 50 x 34,9 mm.
<b>Housing</b>	Shock-proof made of ABS, IP54 protection
<b>Keypad</b>	Metal-coated with 5 keys
<b>Conformity</b>	Electromagnetical compatibility (NF EN 61326-1 guideline)
<b>Power feeding</b>	1 alkaline battery 9V 6LR61
<b>Environment</b>	Neutral gas
<b>Working temperature</b>	From 0 to +50 °C
<b>Storage temperature</b>	From -20 to +80 °C
<b>Auto-extinction</b>	Adjustable from 0 to 120 mn
<b>Weight</b>	200 g
<b>Languages</b>	French, English
<b>Probe length</b>	30 cm

**SPECIFICATIONS**

Measurement unit	Measuring range	Accuracy*	Resolution
ppm	0-10 000 ppm (GPL : 0-1800)	±20% of full scale at 20 °C at 65 %RH ± 5 %RH	1 ppm
% VOL	0-1 % VOL		0.001 % VOL
% LEL	0-20 % LEL		0.01 % LEL

\*All accuracies indicated in this document were stated in laboratory conditions and can be guaranteed for measurements carried out in the same conditions, or carried out with required compensation.



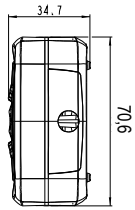
**FUNCTIONS**

- Detection of gas such as methane (CH<sub>4</sub>), LPG (isopropanol and isobutane) and others combustible gas (hydrocarbon)
- Display of the concentration of measured gas in ppm, %VOL and %LEL
- Flexible probe with semiconductor gas sensor
- Digital display

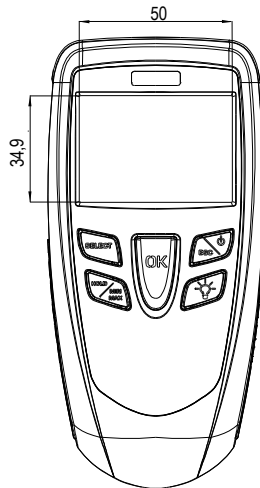


## DIMENSIONS (mm)

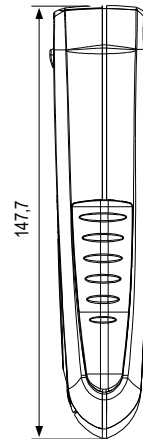
• Top view



• Front view



• Side view



## WARRENTY PERIOD

Instruments have 1-year guarantee for any manufacturing defect (return to our After-Sales Service required for appraisal).

## SUPPLIED WITH

- FG 100 instrument
- Transport case
- Adjusting certificate and user manual



## ACCESSORIES

### CE 100

Protective cover with magnet and holding system

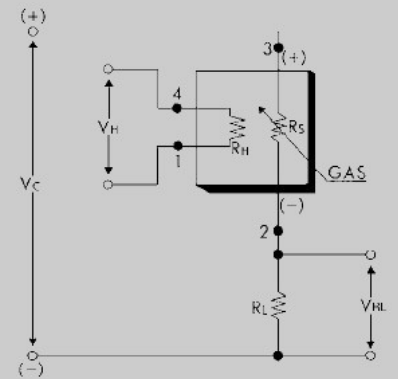


## OPERATING PRINCIPLE

The sensitive element which enables the measurement of methane can be compared to a resistor. The value of this resistor changes according to the methane concentration.

To get better the measurement quality, the sensitive element must be permanently kept at a fixed temperature.

### Electrochemical sensor (gas)



## GLOSSARY

**%LEL** : is the limiting concentrations of gas (in 'air) that is needed for the gas to ignite and explode.

**%VOL** : is the limiting concentrations of gas (in 'air) that is needed for the gas to ignite and explode expressed in percentage of volume in air.

[www.kimo.fr](http://www.kimo.fr)

Distributed by :



EXPORT DEPARTMENT

Tel : + 33. 1. 60. 06. 69. 25 - Fax : + 33. 1. 60. 06. 69. 29

e-mail : [export@kimo.fr](mailto:export@kimo.fr)